



VEIL 维亚
 INSTALLATION INSTRUCTION
 安装说明书
 FLOOR STANDING TOILET
 釉面陶瓷落地坐便器

K-32779T-ZZ/K-32778T-NS/K-39660T-CPMP/K-39661T-CPMZ
 K-39661T-BNMZ/K-39661T-BLMZ/K-39661T-MBMZ/K-39661T-BVMZ
 K-39662T-OMG/K-39662T-7MG/K-32779T-NSN4/K-33910T-NS
 K-40129T-CPBZ/K-40129T-BNBZ/K-40130T-7SG

BEFORE YOU BEGIN

安装之前

- Please read these instructions carefully to familiarize yourself with the required tools, materials, and installation sequences. Follow the sections that pertain to your particular installation. This will help you avoid costly mistakes. In addition to proper installation, read all operating and safety instructions.
- All information in these instructions is based upon the latest product information available at the time of publication. Kohler China reserves the right to make changes in product characteristics, packaging, or availability at any time without notice.
- These instructions contain important care, cleaning, and warranty information - **please leave instructions for the consumer.**
- Fixture dimensions are nominal and conform to tolerances established by ASME Standards (A112.19.2-2018).
- This product complies with Q/KCI-006 《TOILETS》.
- This product complies with the requirements of GB25502-2024 《Minimum allowable values of water efficiency and water efficiency grades for water closets》. The water efficiency grade and water consumption of the toilets comply with the provisions of the following table.
- 请小心详阅本指引。以便熟悉所需工具、材料及安装程序。请遵照适用的章节来安装你的坐便器，以避免由于安装不当而导致不必要的损失。除了有关正确的安装方法之外，还务请详阅所有操作及安全指引。
- 本指引所载之一切资料，均以印刷时所有之最新产品情况为基础，科勒中国保留权利随时更改产品特性、包装或供应情况，恕不另行通知。
- 本指引也包含了有关护理、清洁及保养等重要资料 - 请交予用户保存。
- 部件尺寸为标定值，误差符合美国ASME标准(A112.19.2-2018)。
- 本产品符合Q/KCI-006《坐便器》。
- 本产品符合GB25502-2024《坐便器水效限定值及水效等级》，坐便器的水效等级及冲洗用水量符合如下表的规定。

Water efficiency grade index of toilet
 坐便器水效等级指标

Unit: L
 单位为升

Water efficiency grade of toilet 坐便器水效等级	Grade 1 1级	Grade 2 2级	Grade 3 3级
The average flushing water consumption of the toilet 坐便器平均冲洗用水量	≤ 3.8	3.8 < • ≤ 4.6	4.6 < • ≤ 5.4
The water consumption for full flushing of dual flush toilet 双冲式坐便器全冲冲洗用水量	≤ 4.8	4.8 < • ≤ 5.8	5.8 < • ≤ 6.8
The water consumption for half flushing of dual flush toilet 双冲式坐便器半冲冲洗用水量	≤ 3.3	3.3 < • ≤ 4.0	4.0 < • ≤ 4.7

Note: The average flushing water consumption of toilets is applicable to both single flush and dual flush toilets.
 注：坐便器平均冲洗用水量适用于单冲式坐便器和双冲式坐便器。

No.2 KOHLER ROAD, SANSHUI CENTRAL INDUSTRIAL PARK, LEPING TOWN, SANSHUI DIST., FOSHAN, GUANGDONG, PRC POST CODE: 528137
 广东省佛山市三水区乐平镇三水中心工业园区科勒大道2号 邮编：528137

8# MENGSHAN RD, ECONOMIC DEVELOPMENT ZONE OF HUANTAI, ZIBO, SHANDONG, CHINA POST CODE: 256410
 山东省淄博市桓台经济开发区蒙山路8号 邮编：256410

NO.1 KOHLER STREET, ECONOMIC DEVELOPMENT ZONE OF FAKU COUNTY, SHENYANG LIAONING PROVINCE, PRC POST CODE: 110400
 辽宁省沈阳市法库经济开发区科勒大街1号 邮编：110400

ORDERING INFORMATION

VEIL WF Toilet W/O ST
(HT110 P, 3.0/4.5)K-32778T-NS
Includes VEIL FS ToiletK-20706T
Includes HT110 IWT W/O F
3.0/4.5L (VEIL WF)K-32790T-VL-NA
Includes P-Trap for Optional Wall Installation1036901

VEIL WF TOILET W/O ST
(HT201 P, 3.5/5.0L)K-32779T-ZZ
Includes HT 201 PNE IWT W/O F 3.5/5.0L
(VEIL WF)K-25443T-ZZ
Includes VEIL FS ToiletK-20706T-ZZ
Includes P-Trap for Optional Wall Installation1036901

VEIL WF Toilet W/O ST
(HT201 P, 3.3/4.8L)K-32779T-NSN4
Includes VEIL WF Bowl W/O STK-20706T-NW4
Includes HT201 PNE IWT
W/O F 3.3/4.8L(VEIL WF)K-39567T-VL4-NA
Includes P-Trap for Optional Wall Installation1036901

VEIL WF Toilet W/O ST
(HT210 P, 3.0/4.5L)K-33910T-NS
Includes VEIL WF Bowl W/O STK-20706T
Includes HT210 PNE IWT
W/O F 3.0/4.5L(VEIL WF)K-33878T-VL-NA
Includes P-Trap for Optional Wall Installation1036901

Com Toilet, VEIL FS W/ Mach S,
Black/GlaK-39660T-CPMP
Includes VEIL FS Toilet Bowl, Mach TS,
CP/PlasticK-39839T-NPMP
Includes Mach Toilet Sensor, PLS, 4L/5.8L ..K-34176T-CP
Includes SAILE QC Toilet Seat,
Hidden Hinge BaseK-4141T
Includes P-Trap for Optional Wall Installation1036901

Com Toilet, VEIL FS W/ Mach S, CP/ Zinc ...K-39661T-CPMZ
Includes VEIL FS Toilet Bowl, Mach TS,
CP/ ZincK-39839T-NPMZ
Includes Mach Toilet Sensor, 4L/5.8LK-34178T-CP
Includes SAILE QC Toilet Seat,
Hidden Hinge BaseK-4141T
Includes P-Trap for Optional Wall Installation1036901

Com Toilet, VEIL FS W/ Mach S, BN/ Zinc ...K-39661T-BNMZ
Includes VEIL FS Toilet Bowl, Mach TS,
BN/ ZincK-39839T-NNMZ
Includes Mach Toilet Sensor, 4L/5.8L, BNK-34178T-BN
Includes SAILE QC Toilet Seat,
Hidden Hinge BaseK-4141T
Includes P-Trap for Optional Wall Installation1036901

Com Toilet, VEIL FS W/ Mach S, BL/ ZincK-39661T-BLMZ
Includes VEIL FS Toilet Bowl, Mach TS,
BL/ ZincK-39839T-NBMZ
Includes Mach Toilet Sensor, 4L/5.8L, BLK-34178T-BL
Includes SAILE QC Toilet Seat,
Hidden Hinge BaseK-4141T
Includes P-Trap for Optional Wall Installation1036901

Com Toilet, VEIL FS W/ Mach S,
2MB/ ZincK-39661T-MBMZ
Includes VEIL FS Toilet Bowl, Mach TS,
2MB/ ZincK-39839T-NMMZ
Includes Mach Toilet Sensor, 4L/5.8L,
2MBK-34178T-2MB
Includes SAILE QC Toilet Seat,
Hidden Hinge BaseK-4141T
Includes P-Trap for Optional Wall Installation1036901

订购信息

维亚落地式坐便器无盖板
(海德丽110气动水箱,3.0/4.5升)K-32778T-NS
含维亚落地式坐便器缸体K-20706T
含海德丽110气动无框架入墙式隐藏水箱,
3.0/4.5升(维亚落地)K-32790T-VL-NA
含墙排水排污管1036901

维亚落地式坐便器无盖板
(海德丽201气动水箱, 3.5/5.0升)K-32779T-ZZ
含海德丽201气动无框架入墙式隐藏水箱3.5/5.0升
(维亚落地)K-25443T-ZZ
含维亚落地式坐便器缸体K-20706T-ZZ
含墙排水排污管1036901

维亚落地式坐便器不带盖板
(海德丽201气动水箱, 3.3/4.8升)K-32779T-NSN4
含维亚落地式加长型缸体K-20706T-NW4
含海德丽201气动无框架入墙式隐藏水箱
3.3/4.8升(维亚落地)K-39567T-VL4-NA
含墙排水排污管1036901

维亚落地式坐便器不带盖板
(海德丽210气动水箱, 3.0/4.5升)K-33910T-NS
含维亚落地式加长型缸体K-20706T
含海德丽210气动无框架入墙式隐藏水箱,
3.0/4.5升(维亚落地)K-33878T-VL-NA
含墙排水排污管1036901

维亚落地式商用坐便器
(迈锐感应器 4/5.8L)K-39660T-CPMP
含维亚落地式缸体
.....K-39839T-NPMP
含迈锐坐便器感应器, 4L/5.8LK-34176T-CP
含含现代化加长型坐便器盖板
(净雅版)K-4141T
含墙排水排污管1036901

维亚落地式商用坐便器(迈锐感应器 4/5.8L) ...K-39661T-CPMZ
含维亚落地式缸体
.....K-39839T-NPMZ
含迈锐坐便器感应器, 4L/5.8LK-34178T-CP
含现代化加长型坐便器盖板
(净雅版)K-4141T
含墙排水排污管1036901

维亚落地式商用坐便器(迈锐感应器 4/5.8L) ...K-39661T-BNMZ
含维亚落地式缸体
.....K-39839T-NNMZ
含迈锐坐便器感应器, 4L/5.8L, 罗曼银K-34178T-BN
含现代化加长型坐便器盖板
(净雅版)K-4141T
含墙排水排污管1036901

维亚落地式商用坐便器
(迈锐感应器 4/5.8L)K-39661T-BLMZ
含维亚落地式缸体
.....K-39839T-NBMZ
含迈锐坐便器感应器, 4L/5.8L, 原色黑K-34178T-BL
含现代化加长型坐便器盖板
(净雅版)K-4141T
含墙排水排污管1036901

维亚落地式商用坐便器
(迈锐感应器 4/5.8L)K-39661T-MBMZ
含维亚落地式缸体
.....K-39839T-NMMZ
含迈锐坐便器感应器, 4L/5.8L,
摩登金K-34178T-2MB
含现代化加长型坐便器盖板
(净雅版)K-4141T
含墙排水排污管1036901

Com Toilet, VEIL FS W/ Mach S, BV/ Zinc....K-39661T-BVMZ Includes VEIL FS Toilet Bowl, BV/ Zinc....K-39839T-NVMZ Includes Mach Toilet Sensor, 4L/5.8L, BVK-34178T-BV Includes SAILE QC Toilet Seat, Hidden Hinge Base.....K-4141T Includes P-Trap for Optional Wall Installation.....1036901	维亚落地式商用坐便器(迈锐感应器 4/5.8L)....K-39661T-BVMZ 含维亚落地式缸体.....K-39839T-NVMZ 含迈锐坐便器感应器, 4L/5.8L, 罗曼铜.....K-34178T-BV 含现代化加长型坐便器盖板 (净雅版).....K-4141T 含墙排水排污管.....1036901
Com Toilet, VEIL FS W/ Mach S, White/ Gla...K-39662T-0MG Includes VEIL FS Toilet Bowl, Mach TS, White/ Gla.....K-39839T-N0MG Includes Mach Toilet Sensor, GLS, 4L/5.8L.....K-34180T-0 Includes SAILE QC Toilet Seat, Hidden Hinge Base.....K-4141T Includes P-Trap for Optional Wall Installation.....1036901	维亚落地式商用坐便器(迈锐感应器 4/5.8L).....K-39662T-0MG 含维亚落地式缸体K-39839T-N0MG 含迈锐坐便器感应器, 4L/5.8L.....K-34180T-0 含现代化加长型坐便器盖板 (净雅版).....K-4141T 含墙排水排污管.....1036901
Com Toilet, VEIL FS W/ Mach S, Black/ Gla ...K-39662T-7MG Includes VEIL FS Toilet Bowl, Mach TS, Black/ Gla.....K-39839T-N7MG Includes Mach Toilet Sensor, GLS, 4L/5.8L.....K-34180T-7 Includes SAILE QC Toilet Seat, Hidden Hinge Base.....K-4141T Includes P-Trap for Optional Wall Installation.....1036901	维亚落地式商用坐便器(迈锐感应器 4/5.8L).....K-39662T-7MG 含维亚落地式缸体K-39839T-N7MG 含迈锐坐便器感应器, 4L/5.8L.....K-34180T-7 含现代化加长型坐便器盖板 (净雅版).....K-4141T 含墙排水排污管.....1036901
Comb Veil FS Commercial Toilet with BEAM Toilet SensorK-40129T-CPBZ Includes Veil FS Commercial Toilet Bowl, Match BEAM TS, CP/ zinc.....K-39839T-NPBZ Includes BEAM Toilet Sensor, 4L/5.8L..K-30948T-TS2-CP Includes SAILE QC Toilet Seat, Hidden Hinge Base.....K-4141T Includes P-Trap for Optional Wall Installation.....1036901	维亚落地式商用坐便器 (柏明感应器 4/5.8L).....K-40129T-CPBZ 含维亚落地缸体K-39839T-NPBZ 含柏明坐便器感应器 4L/5.8L.....K-30948T-TS2-CP 含现代化加长型坐便器盖板 (净雅版).....K-4141T 含墙排水排污管.....1036901
Comb Veil FS Commercial Toilet with BEAM Toilet SensorK-40129T-BNBZ Includes Veil FS Commercial Toilet Bowl, Match BEAM TS, BN/ zinc.....K-39839T-NBBZ Includes BEAM Toilet Sensor, 4L/5.8L, BN.....K-30948T-TS2-BN Includes SAILE QC Toilet Seat, Hidden Hinge Base.....K-4141T Includes P-Trap for Optional Wall Installation.....1036901	维亚落地式商用坐便器 (柏明感应器 4/5.8L).....K-40129T-BNBZ 含维亚落地缸体K-39839T-NBBZ 含柏明坐便器感应器 4L/5.8L.....K-30948T-TS2-BN 含现代化加长型坐便器盖板 (净雅版).....K-4141T 含墙排水排污管.....1036901
Comb Veil FS Commercial Toilet with SUMMON Toilet Sensor.....K-40130T-7SG Includes Veil FS Commercial Toilet Bowl, Match SUM TS, Black/ Glass....K-39839T-N7SG Includes SUMMON Toilet Sensor, 4L/5.8L.....K-29182T-TS2-7 Includes SAILE QC Toilet Seat, Hidden Hinge Base.....K-4141T Includes P-Trap for Optional Wall Installation.....1036901	维亚落地式商用坐便器 (思敏感应器 4/5.8L).....K-40130T-7SG 含维亚落地缸体K-39839T-N7SG 含思敏坐便器感应器 4L/5.8L.....K-29182T-TS2-7 含现代化加长型坐便器盖板 (净雅版).....K-4141T 含墙排水排污管.....1036901

SAFETY WARNINGS

Kohler products are precision-engineered and should give continued superior and safe performance, provided:

1. They are installed, commissioned, operated and maintained in accordance with the recommendations given in this Manual.
2. Periodic attention is given, as necessary, to maintain the product in good functional order. Recommended guidelines are given in the **MAINTENANCE** section.

Carefully inspect the new fixture for any signs of damage.

When installing Kohler Products, manufacturers guidelines for power tool safety should be followed.

安全警告

科勒产品经过精确制造，性能卓越，经久耐用。为保证产品质量，您必须：

1. 按照此手册中推荐的方法进行安装、起动、操作及维护。
2. 如有需要，定期检查，令产品保持良好性能状态。日常维护章节中列有推荐方法。

仔细检查新产品是否有损伤。

在安装科勒产品时，必须遵循制造商有关电气安全的指令。

TOOLS AND MATERIALS REQUIRED (Not supplied)

所需工具及物料 (不随货供应)

- 254mm (10") adjustable wrench
- 305mm (12") pipe wrench
- Metal file (file cut)
- Tape measure
- Tubing cutter
- Level
- Hacksaw
- Putty knife
- Screwdriver
- Toilet gasket (wax seal)
- Toilet supply shut-off valve
- P-TRAP 1036901

- 254mm 活动扳钳
- 305mm 喉管扳钳
- 锉刀
- 卷尺
- 切管刀
- 水平尺
- 钢锯
- 涂油灰刀
- 螺丝刀
- 坐便器垫圈(蜡封)
- 坐便器供水管止水阀
- P管1036901

NOTICE:

1. If the existing toilet does not have a supply shut-off valve below the tank, install one before installing the new toilet.
2. There's no need for S-trap toilet users to order P-trap 1036901.

注意:

1. 如果现有坐便器的水箱下方没有止水阀, 须在安装新坐便器前装妥止水阀。
2. 选用地排水的用户无需订购P管1036901。

ROUGHING-IN

尺寸图

Reference Value
参考值

UNIT: mm
单位: 毫米

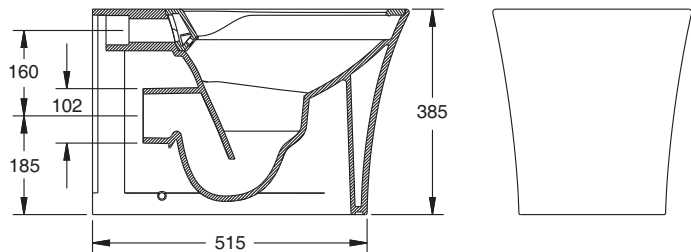
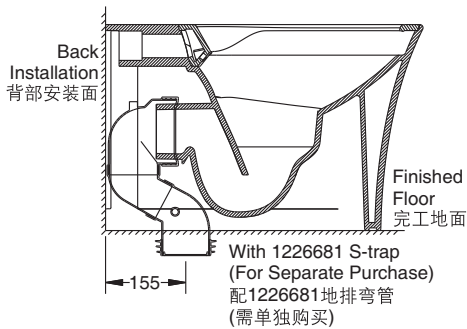
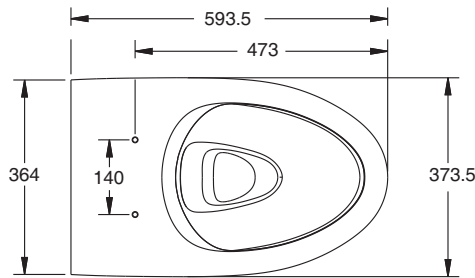
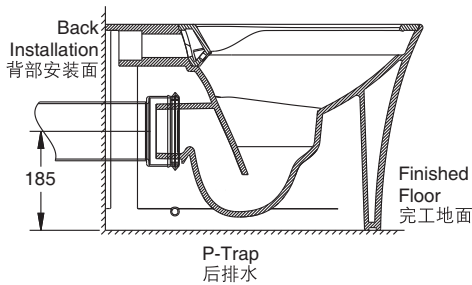


Fig.#1
图1

Kohler reserves the right to change marked dimensions without prior notice.
科勒公司保留随时变更图中标示尺寸的权利, 无需另行通知。

SPECIFICATION

规格

Plumbing Connections

管道连接

Recommended inlet connections are 3/8" BSP.

建议采用3/8" BSP进水管接口。

INSTALLATION

安装

Install Flushing Mechanism

1. Install The Tank
 - 1) Turn the water supply off before installing the new toilet.
 - 2) Install the concealed tank system in wall before decorating the wall.
 - 3) Install the tank system per tank's installation instructions.
 - 4) Refer to installation instructions of in-wall tank for SKU of faceplate.
2. Install Manual Valve Or Sensor

Refer to installation instructions of manual valve or sensor for the installation of flushing mechanism.

安装冲水装置

1. 隐藏式水箱的安装
 - 1) 安装新坐便器前先关闭供水。
 - 2) 在装饰墙面前先将入墙式水箱系统安装入墙体内部。
 - 3) 参照水箱安装说明书完成水箱系统的安装。
 - 4) 需另配的面板型号请参考水箱说明书。
2. 安装手动阀或感应冲洗器

参照手动阀或感应冲洗器的说明书安装冲水装置。

Install The Toilet

1. Install the waste outlet and water inlet as shown.

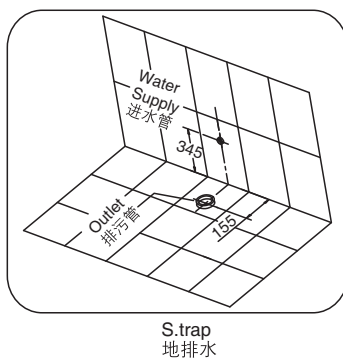
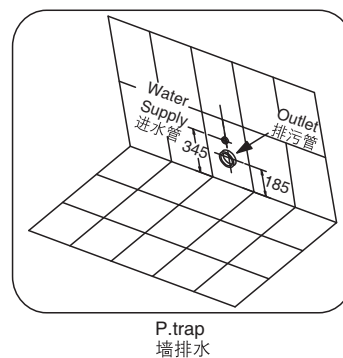



Fig.#2
图2




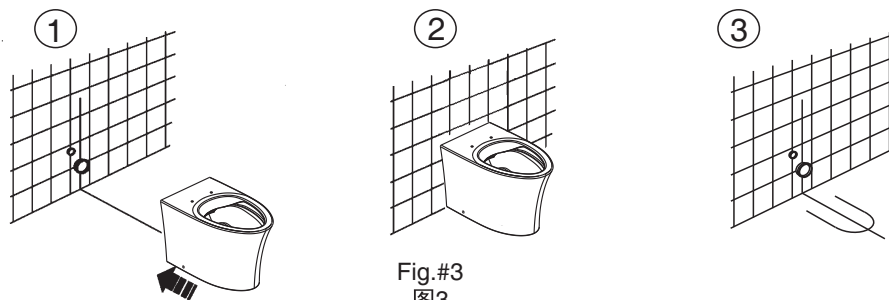
UNIT: mm
单位: 毫米

2. Put the bowl in position, and using a pencil, mark the position of the bowl on the floor, as shown. Mark the positions for the tank attachment bolts on the wall.

2. 首先确定安装墙面或地面排污口的中心位置和坐便器左右中心的位置，并画线标识。将坐便器放置到位，使安装面排污口中心线和坐便器左右中心线重合，然后画线标识坐便器位置。如图所示。

 **Caution!** Make sure that you avoid hidden cables and pipes when drilling holes in the floor or wall.

 小心！在地面或墙面上钻孔时，一定要避开内设的线缆和管道。



3. Remove the bowl. Drill the anchor bolt hole (depth \geq 38mm) in the floor with an 10mm dia. drill, install brackets.

3. 移开坐便器，确定地脚孔的位置，用10毫米的钻头，钻深度不小于38毫米的地脚孔，安装支架。

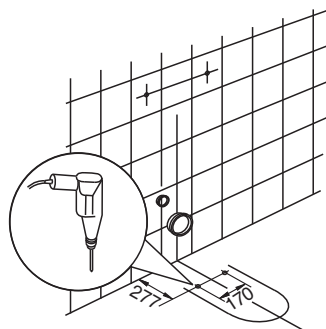
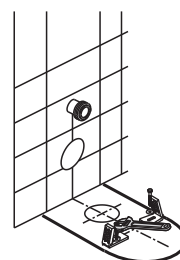
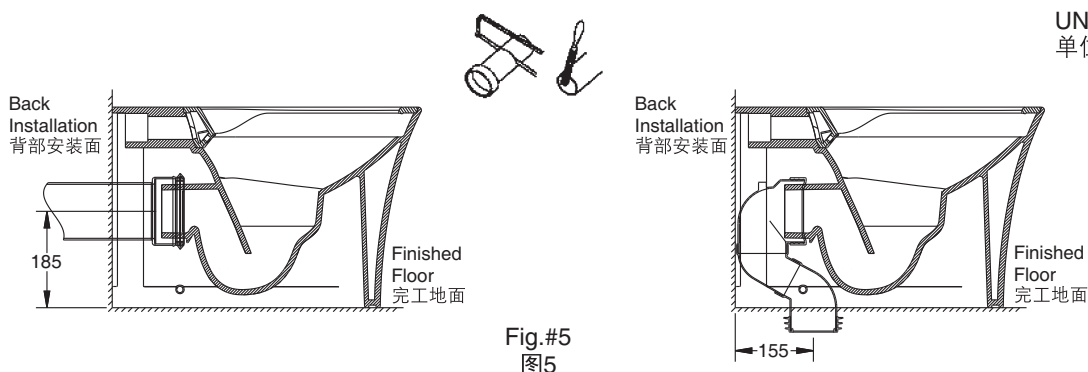


Fig.#4
图4



4. Adjust the distance between centerline of PVC waste pipe and the floor (wall) to match it consistent with marked roughing-in.

4. 依照安装地面排污口离墙距，调节确定PVC排污管软接头与坐便器排污口连接的前后位置，使两者距离相一致。如图所示。



UNIT: mm
单位: 毫米

Fig.#5
图5

5. Move the toilet to the field and make sure the bottom profile matches marked line on the ground.

5. 将坐便器抬放至安装位置，确保与地面的标识线相吻合。

6. Carefully thread the screws into the brackets, until toilet is secure. Alternately tighten left and right sides to prevent pulling the toilet off center. Install cap to cover screw. **Do not overtighten.**

6. 小心的将螺丝旋入支架中直到坐便器完全固定。左右交替旋紧以免坐便器偏离中心。安装螺帽。

NOTE: Do not use white cement or high lime content cements to install this toilet. The expansion of cement due to a rise in temperature may make the toilet crack or cause damage. Kohler is not responsible for any damage caused by installation with the use of cement.

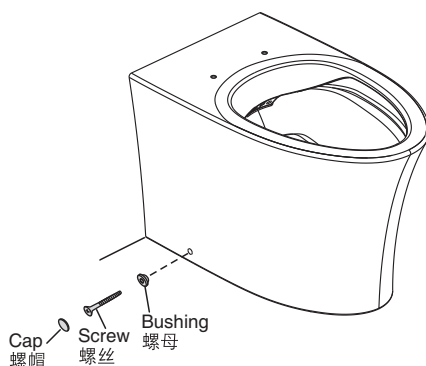


Fig.#6
图6

请勿过度旋紧。







注意：安装本坐便器时切勿使用白水泥或高石灰含量之水泥，因水泥的热膨胀可能使坐便器的脚部挤破或损坏。科勒对所有因水泥安装而引致的坐便器破裂恕不负责。







USER MAINTENANCE

日常维护

Cleaning

清洁

-  **Caution! Risk of product damage.** Many cleaners contain abrasive and chemical substances, and should not be used for cleaning stainless steel, enamel, plated or plastic fittings. These finishes should be cleaned using a mild washing up detergent or soap solution, rinsed and then wiped dry with a soft clean cloth.
-  **Caution! Risk of product damage.** Most toilet bowl cleaners are not harmful to the vitreous china surface of the toilet bowl. Please follow the bowl cleaner manufacturer's instructions carefully.
-  **Caution! Do not use in-tank cleaners.** Products containing chlorine (calcium hypochlorite) can seriously damage fittings in the tank. This damage can cause leakage and property damage.
-  **CAUTION: Don't use any cement while installing the toilet.** Heat expansion of the toilet may damage the feet of the toilet. Kohler will not be responsible for any damage because of using cement.
-  **WARNING: Risk of product damage.** Do not throw into the toilet what is easy to block it, such as newspaper, paper pilch, sanitary towel. Do not bump the vitreous china with great force to prevent it from damaging and leaking. Do not use the product in the water below 0°C.
-  **CAUTION:** Please do not use hard materials (like scouring pad) to clean product surface, especially the product logo.

-  **警告！小心产品受损。**许多清洁剂都含有腐蚀性及化学物质，不可用于清洁不锈钢、搪瓷、镀层或塑料制品。这些表面须使用温和的洗涤剂或皂液进行清洁，彻底冲洗，然后用干净的软布擦干。
-  **警告！小心产品受损。**大多数坐便器清洁剂不会损伤其釉面陶瓷表面。请仔细遵循清洁剂使用说明书进行操作。
-  **警告！切勿使用水箱内置清洁剂。**含有氯（次氯酸钙）的清洁剂产品会严重损坏水箱内的装置。这将导致渗漏及财产损失。
-  **警告：在安装本坐便器时切勿使用任何水泥。**因为水泥的热膨胀可能使坐便器的脚部挤破或损坏。科勒对所有因为水泥安装而引起的坐便器破裂恕不负责。
-  **警告：提防损坏产品。**请不要向便器内冲入新闻纸、纸尿裤、妇用卫生巾等容易堵塞的物品。请不要用重力撞击陶瓷，以防止破损漏水。
-  不要在0°C以下的水环境中使用。
警告：请勿使用钢丝球等硬质材料擦洗产品表面，特别是产品商标处。